

Scotia

folding . sliding . doors
aluminium bi-fold and sliding doors made in the UK



The SF Glide R is a premium quality lift and slide system with excellent thermal efficiency that can achieve overall U values as low as 1.4W/M2K. A simple turn of a handle lifts the door onto ball bearings, allowing even 280kg doors to glide open with the slightest touch. This system also means the door can be locked in any position.

The SF Glide R boasts many of the same benefits as our SF Glide S but features more slender profiles, and is a more cost-effective heavy-duty lift and slide door system.



SF GLIDE R

PRODUCT SPECIFICATION

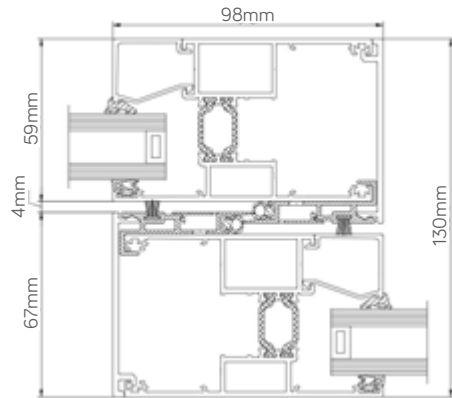
BI-FOLDS | **SLIDING DOORS** | WINDOWS |

(Detailed product diagrams overleaf)

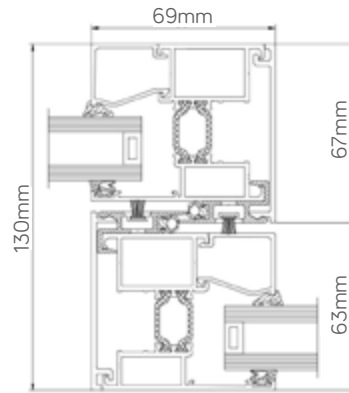
PRODUCT OVERVIEW: SF Glide R



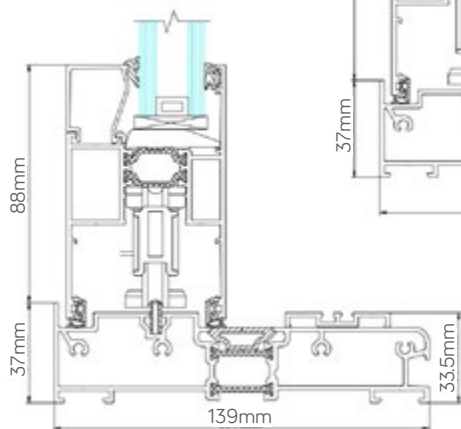
TYPICAL SIGHT LINE



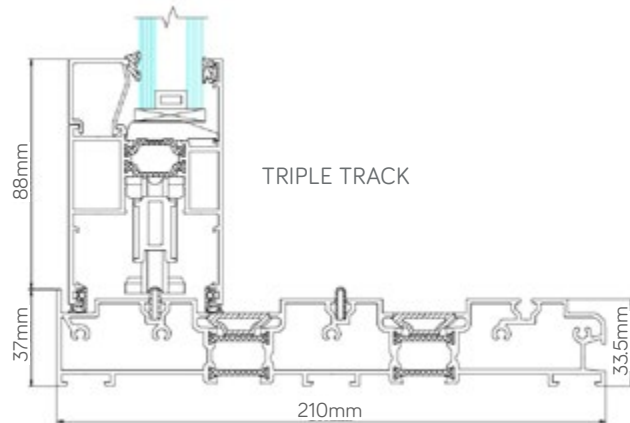
SLIMLINE SIGHT LINE
(AVAILABLE ON TWIN TRACK ONLY)



TWIN TRACK



TRIPLE TRACK



Benefits of the SF Glide R include:

- An internal up stand which can be set against the finished floor level for a flush internal finish
- Burglar-resistant design up to security class WK2
- 98mm typical sight line which can house double glazed unit weighing up to 300kg
- 69mm typical sight line on two panel lift and slide doors
- Lockable in any open position
- The elevating sliding gearing makes operation easy
- Designer handle range available
- Moving corner post available
- Overall U values as low as 1.4W/m²k
- EN 12211, EN 12211 Wind loading up to 1200 Pa
- EN 12208 Watertight up to 600 Pa
- EN 12207 Air tightness up to 600 Pa
- Tested to stringent PAS 024:2012 testing standards
- Secure by Design accredited product

Scotia

folding . sliding . doors
aluminium bi-fold and sliding doors made in the UK

For more information:

call 0808 129 2009

go to

internormbyscotia.co.uk

Visit one of our showrooms in
Clarkston, Hamilton, Kilmarnock & Alloa